



Contact: Robert van Merkestein

Head Office:  
1 Nicholson Street, Melbourne,  
VIC 3000 Australia  
Tel: +61 3 9665 7532  
Fax: +61 3 9665 7909  
Mobile: +61 401 710 701  
Email: Robert.van.merkestein@orica.com  
Website: www.orica.com; www.miexresin.com



Contact: Jason Liu

China Representative Office:  
Beijing Tianyu Runze Technology Co., Ltd  
2-2 Baiguang Rd, Xuanwu District, Beijing  
Tel: +86 10 6320 3455  
Fax: +86 10 6354 2843  
Mob: +86 13951359539  
Email: jasonliu1999@126.com

Robert van Merkestein  
MIEX® Manager - Asia Pacific



亚太地区总监: 罗伯特·范·墨克斯汀  
总部地址: 1 Nicholson Street, Melbourne,  
VIC 3000 Australia  
电话: +61 3 9665 7532  
传真: +61 3 9665 7909  
手机: +61 401 710 701  
电邮: Robert.van.merkestein@orica.com  
网址: www.orica.com, www.miexresin.com



联系人: 刘先生  
中国代表处:  
北京天雨润泽科技有限公司  
北京市宣武区白广路2-2  
电话: +86 10 6320 3455  
传真: +86 10 6354 2843  
手机: +86 139 5135 9539  
电邮: jasonliu1999@126.com



Orica is a leading publicly owned Australian company with operations in 50 countries. Orica turns science into the solutions that satisfy basic human needs. Our products, brands and services can be trusted for their reliability, range and quality.

Orica Watercare manufactures and supplies a range of water and wastewater treatment products and services for municipal and industrial applications in Australia, North America, Europe, Africa, and the Asia-Pacific region. We take pride in creating cost-effective and value adding treatment solutions that are environmentally friendly and designed with the future in mind.

The MIEX® Business Platform, within Orica Watercare, devotes itself to the development and support of ion exchange solutions for water, wastewater, and industrial processing applications. Our international team is focused primarily on the sale, manufacture, and distribution of the MIEX® Technology an advanced ion exchange process that uses MIEX® Resins for the removal or recovery of targeted species from waters.

#### MIEX® Technology

The name MIEX® is derived from 'Magnetic Ion Exchange' as the MIEX® Resin beads have a unique magnetic property. This magnetic property enables the ion exchange process to occur in either continuous or batch processes. This provides a distinct advantage over conventional ion exchange processes, where continuous operation is not typically available. MIEX® Technology is typically applied as the first step in the overall water treatment process.

#### Industrial Wastewater Treatment

MIEX® Technology is suited for the treatment of both municipal and industrial wastewater. MIEX® Technology is finding application where water quality improvements are sought prior to discharge to sewer or further waste treatment and where water reclaim or recycle is a priority. MIEX® Technology can provide significant benefits in municipal wastewater treatment and in a range of industrial processes including pulp and paper, food and dairy, textiles, and power generation.

#### Water Quality: MIEX® Technology provides significant reductions and improvements in:

- Colour & dissolved organic carbon (DOC) levels
- Metal residuals (indirect) in final water (i.e. aluminum, iron & manganese)
- Inorganic contaminant levels (nitrate, phosphate, arsenate, Sulphate etc)

#### Process/Operational: MIEX® Technology improves downstream process performance & efficiency;

- Coagulation & filtration (conventional and membrane)
- Reduced chemical usage (by up to 90%)
- Reduced sludge production
- Oxidation (ozonation), absorption (carbon beds), disinfection (UV)
- Reduced membrane fouling

#### MIEX® Installations

There are now 12 MIEX® Systems operating internationally and a further 8 currently under construction. Completion of the 10 additional contracted systems and projects in planning will increase the number of systems internationally to 30 and daily volume treated to over 500 MLD respectively.

The increasingly rapid up-take of MIEX® technology is a function of both water quality and process benefits.

#### Mission Objectives

- To learn more about the water and wastewater markets in China.
- To identify projects and opportunities where the MIEX® technology will provide improved water quality and environmental outcomes.
- To develop relationships within the Chinese water market to progress the adoption of the MIEX® technology.

Orica是澳大利亚著名的上市公司, 业务遍及全球50个国家。Orica将科学技术转化为能够满足基本人类需求的解决方案。我们的产品、品牌和服务具有可靠性高、范围广和质量优等特点, 是您值得信赖的合作伙伴。

Orica水处理公司制造和提供一系列水及污水处理产品和服务, 广泛应用于澳大利亚、北美、欧洲、非洲和亚太地区城市和工业系统。我们非常自豪地创造了成本节省和独具效益的处理方案, 并且考虑到环境保护和未来发展需要。

Orica水处理公司内的MIEX® 商务平台致力于开发离子交换技术, 适用于水及污水处理和工业加工等过程。我们的国际团队主要专注于MIEX® 技术的销售、制造和推广。MIEX® 技术是一种先进的离子交换处理技术, 通过运用MIEX® 树脂来去除或还原水中的特定物质。

#### MIEX® 技术

MIEX® 是磁离子交换的缩写, 磁离子交换树脂具有独特的磁性。这种磁性可以使离子交换过程连续或间歇发生。相比传统离子交换过程, MIEX® 具有明显的优势。MIEX® 技术主要应用在整个水处理过程的第一步。

#### 工业污水处理

MIEX® 技术不仅可以处理城市污水, 也适用于工业污水处理。该技术可用于对污水进行预处理, 以满足污水排放或进一步处理的要求, 也可用来进行水循环和再利用。MIEX® 技术可为城市污水处理以及纸浆与造纸、食品与乳业、纺织业和发电厂等一系列产业带来可观的效益。

#### 水质 - MIEX® 技术可显著地减少和改善:

- 颜色及溶解有机碳水平
- 金属残留 (间接的), 如铝、铁和锰等
- 无机污染物水平, 如硝酸盐、磷酸盐、砷酸盐、硫酸盐等

#### 处理/运营 MIEX® 技术有助改善下游处理效果和效率

- 凝结与过滤 (传统薄膜)
- 减少化学制品的运用 (最高可达 90%)
- 减少淤泥的产生
- 氧化处理 (臭氧处理)、吸附 (碳床)、消毒 (UV)
- 减少膜堵塞

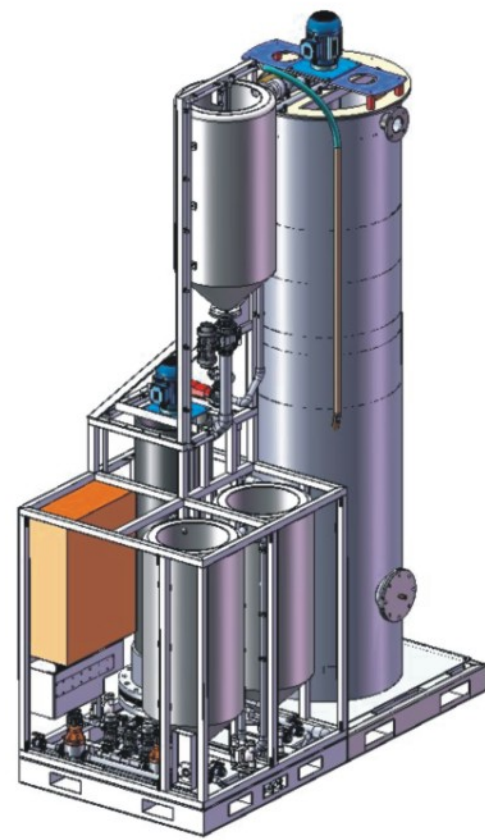
#### MIEX® 处理应用

全球现有12个MIEX® 系统在运转, 有8个正在建设, 此外还有10个规划建设项目, 一旦完成全球MIEX® 系统将将达到30个, 日处理能力将超过5亿升。

MIEX® 技术迅速发展和广泛应用的原因是该技术能够取得较好的处理效果。

#### 出访目标

- 进一步了解中国水及污水处理市场;
- 发掘MIEX® 技术项目机会, 以改善水质和保护环境;
- 在中国水市场建立业务联系, 推广MIEX® 技术。



MIEX PREFABRICATED SYSTEMS  
(0.05MLD TO 1.3MLD)

